

**MERCURY**

Leadership through innovation

Hydro Pneumatic Clamping Systems

The most compact & light weight power unit for actuation of hydraulic clamps & rotary tables



SPECIFICATIONS		
Model no.	80-28-100RT	100-32-200RT
Inlet air pressure.	3-6Kgf/cm ²	3-6Kgf/cm ²
Output oil pressureAt 5 bar.	40 Bar	50 Bar
Coil voltage	24VDC	24VDC
Max. oil displacement	50cc	140cc

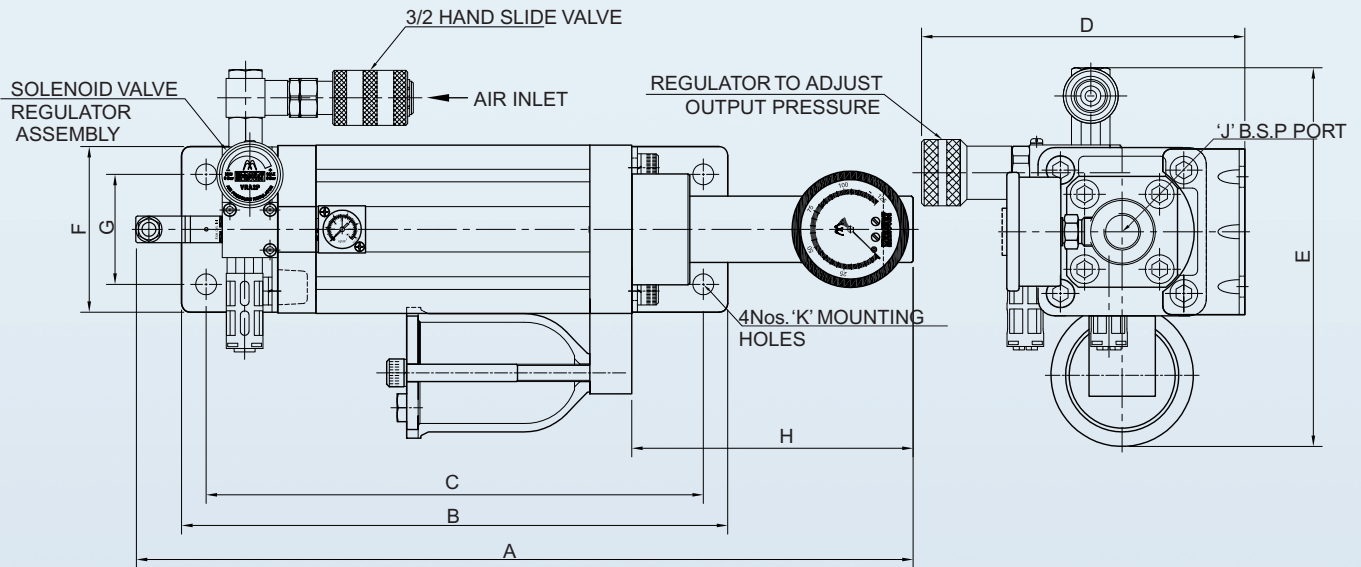
Note:- Due to constant improvements, dimensions and technical specifications are subjected to change without notice.

Mercury Pneumatics Pvt. Ltd.

C-105, Ansa Industrial Estate, Saki Vihar Rd, Andheri (E),
Mumbai - 400072. India, Phone No.: +91-22-40151020

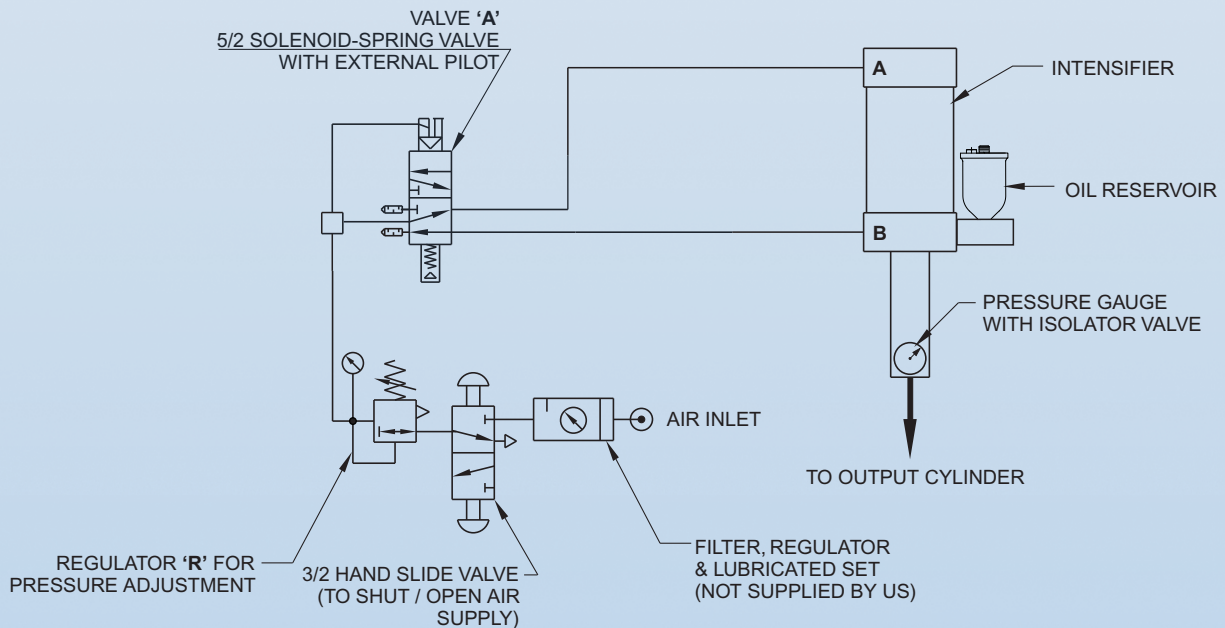
E-mail: contactus@mercuryindia.net Website: www.mercuryindia.net

Data Sheet



MODEL NO.	RATIO	A	B	P	D	E	σ	Σ	H	J BSP	\varnothing K
80-28-100RT	8	445.50	313.00	285.00	185.00	217.00	95.00	63.00	161.00	1/2"	12
100-32-200RT	9.75	655.00	411.00	383.00	198.00	235.00	114.00	75.00	275.00	1/2"	14

Typical Circuit Diagram



Working Principal

- The intensifier unit is normally ON type i.e the air pressure is applied on piston of the intensifier through Port 'A' causing the oil to intensify & apply pressure on the hydraulic cylinder. The output force can be varied by adjusting Air Pressure Regulator 'R'.
- When the 5/2 Solenoid valve 'A' is switched "ON", air is admitted to port 'B' and exhausted from port 'A' thus releasing the applied pressure the Intensifier piston moves back.
- Once the 5/2 Solenoid valve is switched "OFF". The intensifier goes back to the intensified mode & pressure is exerted on the oil.

Note : The above circuit is available in 'NC' type also.