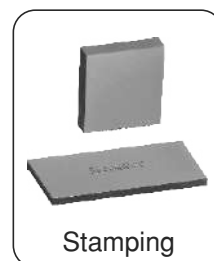
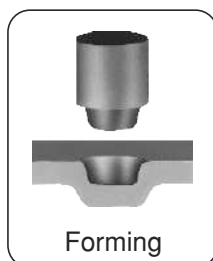
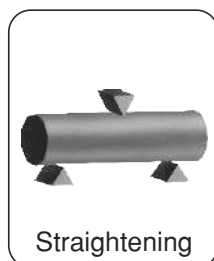
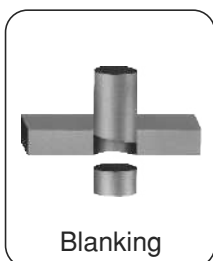


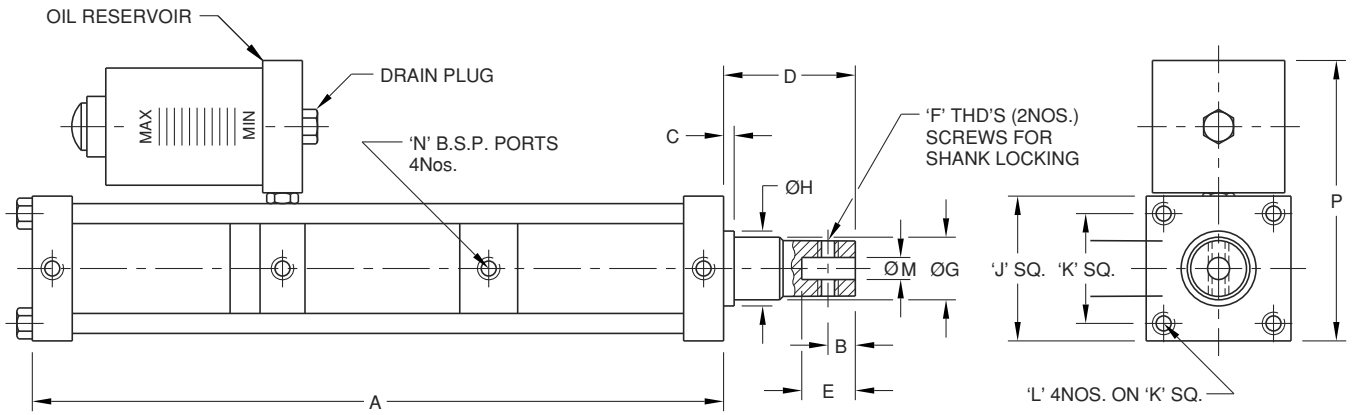
Salient Features

- Fast Action
- Compact, light weight & vibration free
- Versatile
- Energy efficient
- Low cost

Typical Applications



Press Cylinder Dimension



TO CALCULATE COMPRESSOR POWER CAPACITY

1HP = 120 LITRES OF FREE AIR (NL) PER MINUTE AT 5 Kg/Cm²

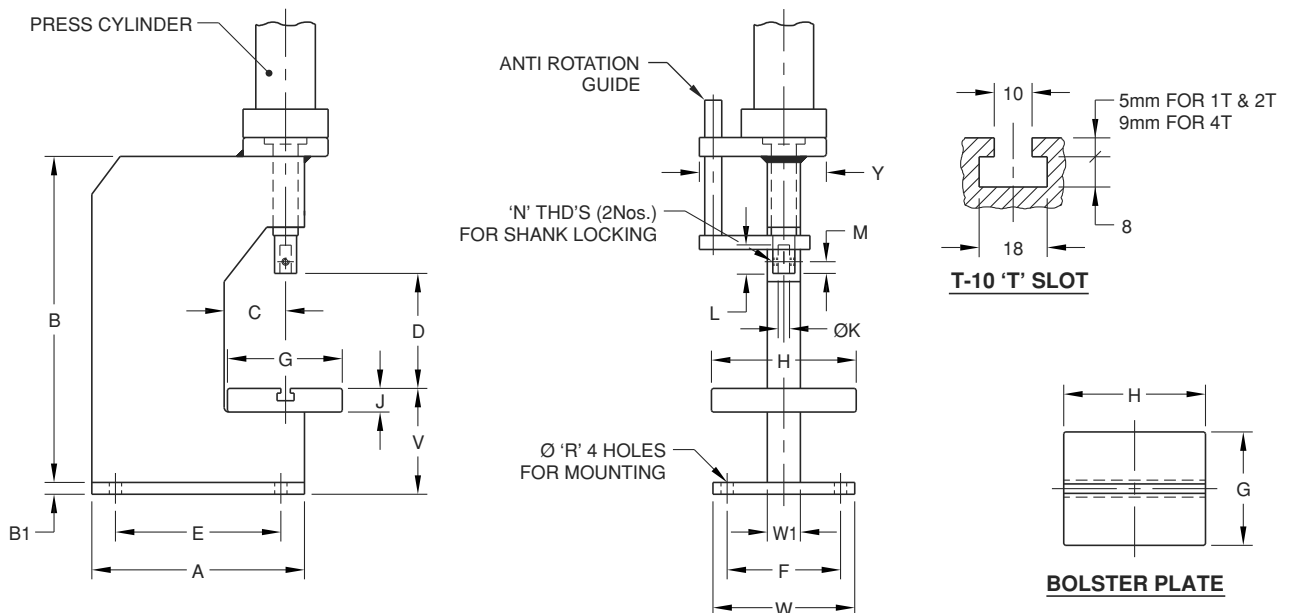
N = NUMBER OF CYCLES PER MINUTE

Q = FREE AIR CONSUMED PER CYCLE (FROM CHART) IN NORMAL LITRES (NL)

$$\text{POWER REQUIRED} = \frac{Q \times N}{120} \text{ (H.P.) OR } \frac{Q \times N}{120} \times 0.746 \text{ (KW)}$$

MODEL NO.	TON	TOTAL STROKE	POWER STROKE	A	B	C	D	E	F	ØG	ØH	J SQ.	K SQ.	L	M	N	P	Q (NL)
MA014-50	1	50	12	495	10	4	115	25	M6	25	45	78	55	M12 X 1.75	12	1/4"	158	4.0
MAH21-50	2.5	50	6	495	10	4	115	25	M6	25	45	78	55	M12 X 1.75	12	1/4"	158	4.1
MAH21-75	2.5	75	6	545	10	4	115	25	M6	25	45	78	55	M12 X 1.75	12	1/4"	158	4.8
MAH24-50	2.5	50	12	591	10	4	115	25	M6	25	45	78	55	M12 X 1.75	12	1/4"	158	6.3
MAH24-75	2.5	75	12	641	10	4	115	25	M6	25	45	78	55	M12 X 1.75	12	1/4"	158	6.9
MA041-75	4	75	6	562	10	4	125	25	M6	32	55	108	78	M16 X 2	16	1/4"	200	7.7
MA044-75	4	75	12	658	10	4	125	25	M6	32	55	108	78	M16 X 2	16	1/4"	200	11.1

'C' Frame Dimensions



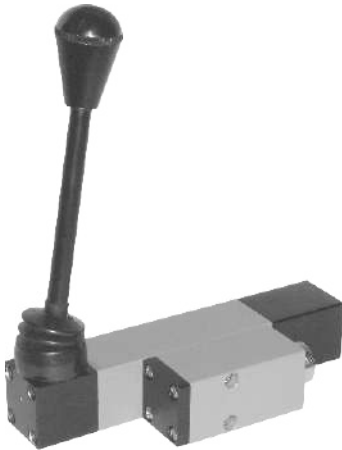
MODEL NO.	TON	A	B	B1	C	D	E	F	G	H	J	ØK	L	M	N	R	T	V	W	W1	Y
3C01HR	1	245	437	12.5	65	200	200	120	120	150	27	12	30	10	M6	13	10	115	150	35	103
3C02HR	2	245	437	12.5	65	200	200	120	120	150	27	12	30	10	M6	13	10	115	150	35	103
3C04HR	4	345	445	15	75	200	300	170	140	200	35	16	30	10	M6	13	10	125	200	50	135



Spare Parts for Series 'M' Manually Operated Hydro Pneumatic Press



VALVE REGULATOR ASSEMBLY



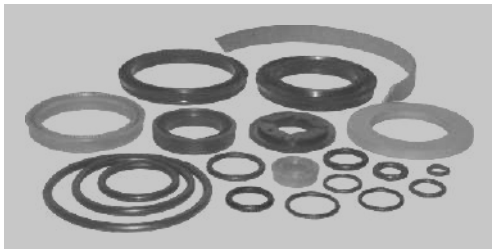
PART No.	DESCRIPTION	SEAL KIT No.
VRA1	VALVE REGULATOR ASSEMBLY	SKVRA1

OIL RESERVOIR



PART No.	DESCRIPTION
102-030	TRANSPARENT RESERVOIR BARREL FOR 1T & 2T CYLINDERS
102-031	TRANSPARENT RESERVOIR BARREL FOR 4T CYLINDER

SPARE SEAL KIT



PART No.	DESCRIPTION
90-177	SEAL KIT FOR CYLINDER MODEL No. MAH21 & MAH24
90-183	SEAL KIT FOR CYLINDER MODEL No. MA041 & MA044
90-186	SEAL KIT FOR CYLINDER MODEL No. MA014

TONNAGE GAUGE



PART No.	DESCRIPTION
20-1350	FOR 1T 'N' SERIES CYLINDERS
20-1328-2.5	FOR 2T 'N' SERIES CYLINDERS
20-1324	FOR 4T 'N' SERIES CYLINDERS

ELBOW FLOW CONTROL VALVE



PART No.	DESCRIPTION	SEAL KIT No.
UF2	1/4" SWIVEL ELBOW FLOW CONTROL VALVE	SKUF2