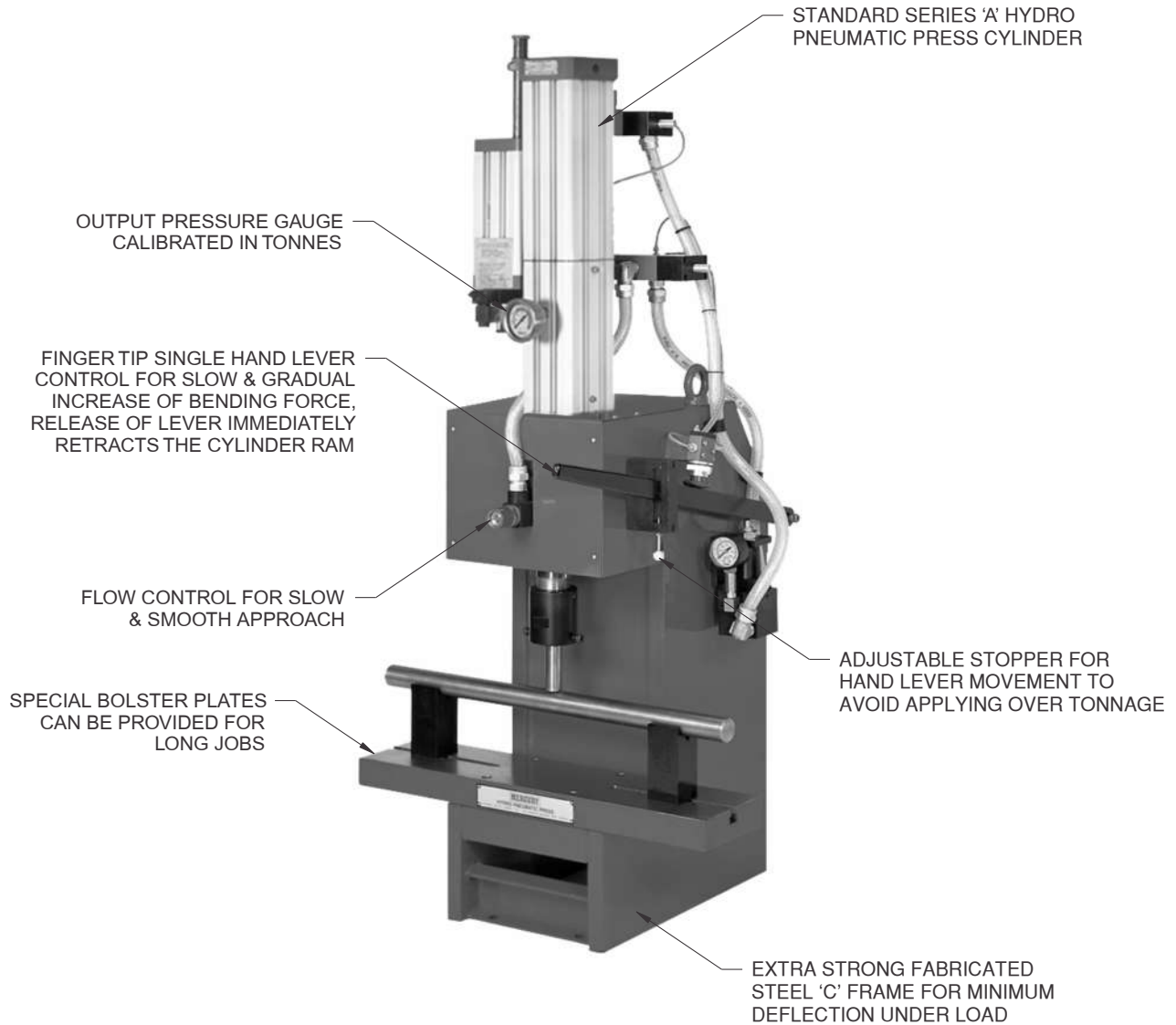
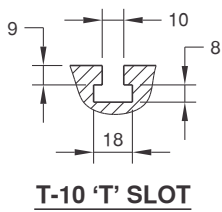
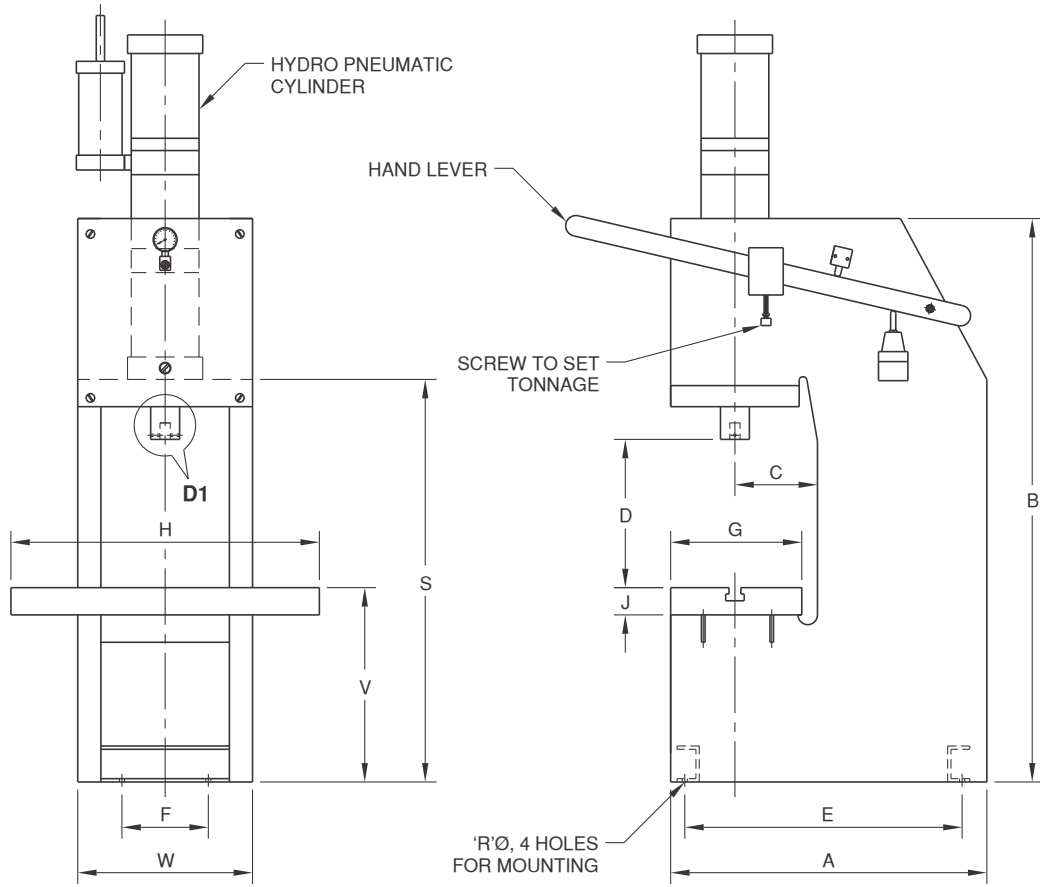




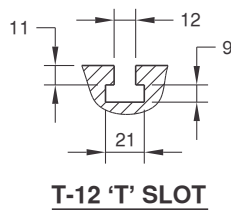
*The cost effective and efficient machine to straighten shafts*



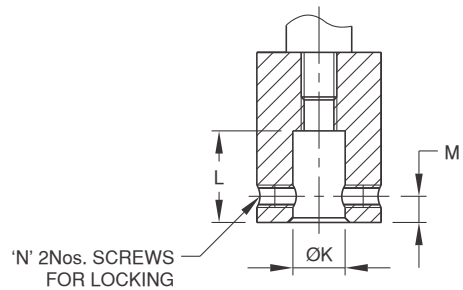
# Technical Specifications



**T-10 'T' SLOT**



**T-12 'T' SLOT**



**DETAIL D1**

MODEL No.	TON	A	B	C	D	E	F	G	H	J	K	L	M	N	ØR	S	T	V	W
4C02ST	2	340	660	75	150	275	85	130	400	38	20	25	10	M6	13	460	10	239	180
4C04ST	4	500	890	100	300	430	120	180	600	43	25	30	10	M8	13	664	10	269	225
4C08ST	8	500	984	85	300	435	150	150	600	53	25	40	10	M8	13	715	12	322	296
* 4C15ST	15	545	875	100	300	475	240	190	650	62	30	60	10	M8	17	680	12	262	304
* 4C30ST	30	570	1187	125	350	500	175	220	1000	72	40	80	12	M10	17	877	12	382	340

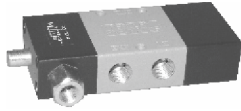
\* Available only with series N Hydro Pneumatic Cylinder



## Spare Parts for 'S' Series Shaft Straightening Press

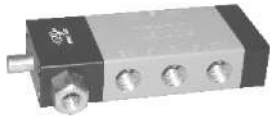


### POWER STROKE 3/2 VALVE



PART No.	DESCRIPTION	SEAL KIT No.
S382	1/4 3/2 N.C. PILOT-SPRING VALVE FOR 2T & 4T PRESSES	SKS382
S384	1/2 3/2 N.C. PILOT-SPRING VALVE FOR 8T, 15T & 30T PRESSES	SKS384

### RAPID APPROACH 5/2 VALVE



PART No.	DESCRIPTION	SEAL KIT No.
S682	1/4" 5/2 PILOT-SPRING VALVE FOR 2T & 4T PRESSES	SKS682
S684	1/2" 5/2 PILOT-SPRING VALVE FOR 8T, 15T & 30T PRESSES	SKS684

### 3/2 PLUNGER VALVE



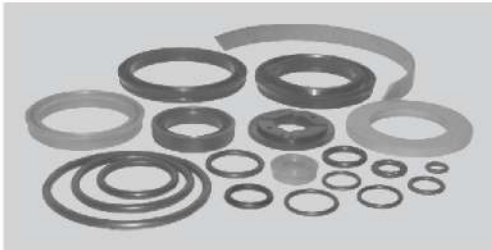
PART No.	DESCRIPTION	SEAL KIT No.
S3121	1/8" 3/2 NORMALLY CLOSED PLUNGER-SPRING VALVE	SKS3121

### PLUNGER OPERATED REGULATOR



PART No.	DESCRIPTION	SEAL KIT No.
RGS2	1/4" REGULATOR FOR SHAFT STRAIGHTENING PRESS	SKRGS2
RGS4	1/2" REGULATOR FOR SHAFT STRAIGHTENING PRESS	SKRGS4

### SPARE SEAL KIT



PART No.	DESCRIPTION
90-048	SEAL KIT FOR PRESS CYLINDER MODEL No. N021 & N024
90-049	SEAL KIT FOR PRESS CYLINDER MODEL No. N041 & N044
90-050	SEAL KIT FOR PRESS CYLINDER MODEL No. N081 & N084
90-051	SEAL KIT FOR PRESS CYLINDER MODEL No. N151 & N154
90-052	SEAL KIT FOR PRESS CYLINDER MODEL No. N301 & N304

### POWER STROKE CHANGE OVER FLOW CONTROL VALVE



PART No.	DESCRIPTION	SEAL KIT No.
F1	1/8" STRAIGHT FLOW CONTROL VALVE	SKF1

### TONNAGE GAUGE



PART No.	DESCRIPTION
20-1328-2T	FOR 2T 'A' SERIES CYLINDERS
20-1324-4T	FOR 4T 'A' SERIES CYLINDERS
20-955-8T	FOR 8T 'A' SERIES CYLINDERS
88-009-15T	FOR 15T 'N' SERIES CYLINDERS
88-009-30T	FOR 30T 'N' SERIES CYLINDERS