



Spool Type Solenoid Valves Series NS-1/8"

Series "NS" 1/8" BSP 3/2, 5/2 & 5/3 Solenoid-Spring & Solenoid-Solenoid spool valves



Mechanical Characteristic

Body	: Aluminium
Orifice	: Ø4.00mm
Ports	: G1/8" BSP Female
Seals	: Nitrile Rubber
Design	: Spool type, internal pilot operated ; external pilot on request
Weight	: Refer to technical data

Operating Conditions

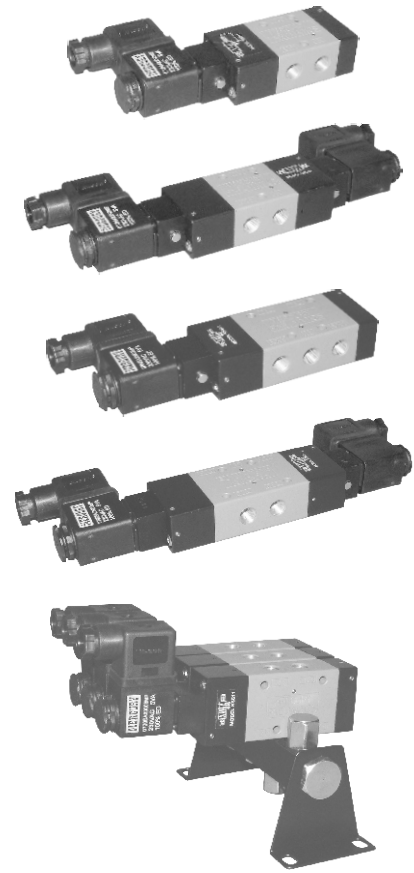
Media	: Air (filtered 40µ & lubricated)
Temperature Range	: +5° to +50°C
Vacuum	: To -0.9 bar with external pilot operation
Pressure Range	: 2.5 to 10 bar
Leakage	: Bubble Tight
Flow (NLPM) at 5 bar	: 300 Normal litres per min. for 3/2 & 5/2 valves 200 Normal litres per min. for 5/3 valves

Electrical Conditions

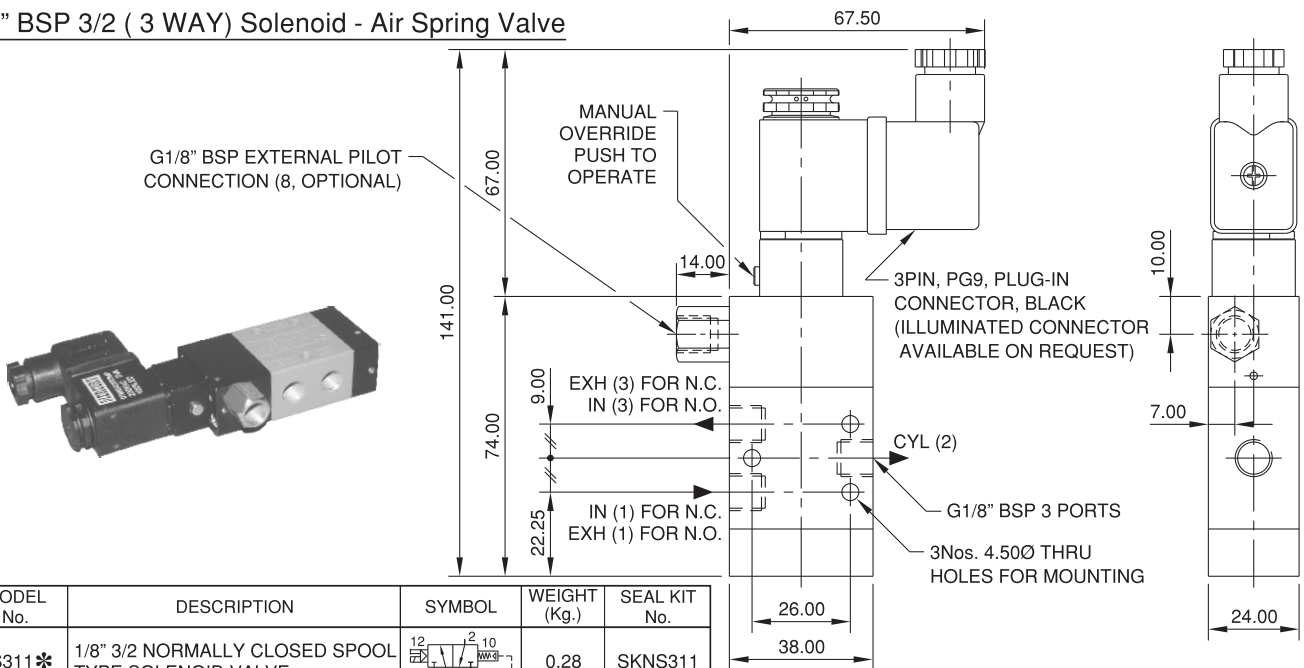
Coil Voltage	: 12 & 24 VDC; 24, 48, 110 & 230 VAC / 50 Hz ±10%
Power	: DC - 3 W; AC - 5 VA Hold, 7.5 VA Pickup
Duty Cycle	: Continuous
Response Time	: 15 msec ON / 25 msec OFF
Protection	: IP 65 (as per DIN 40 050)
Connector	: Black (illuminated on request)

* While ordering specify Coil voltage & type of connector. Add voltage & connector suffix as below to model no.

Connector	230VAC	24VAC	12VAC	24VDC	12VDC	110VAC	48VAC
BLACK	A	B	C	D	E	F	G
ILLUMINATED	L	M	N	P	Q	R	S



1/8" BSP 3/2 (3 WAY) Solenoid - Air Spring Valve

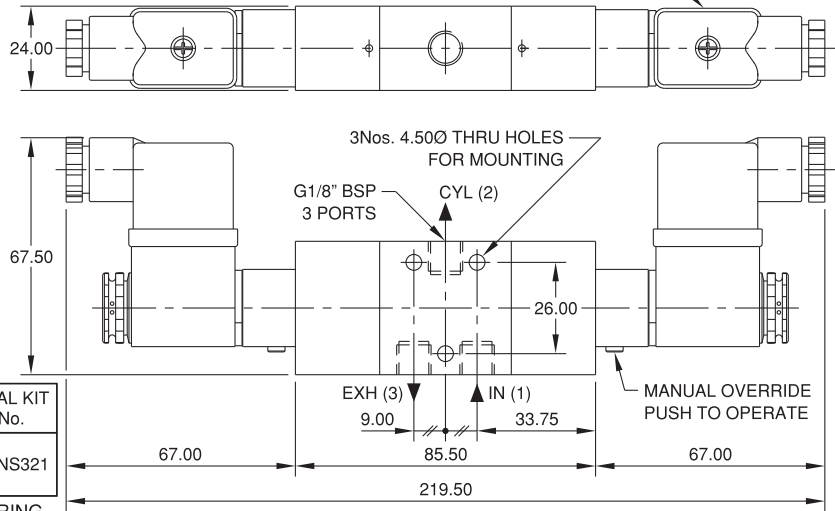
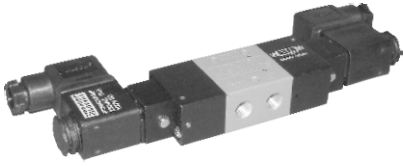


MODEL No.	DESCRIPTION	SYMBOL	WEIGHT (Kg.)	SEAL KIT No.
NS311*	1/8" 3/2 NORMALLY CLOSED SPOOL TYPE SOLENOID VALVE		0.28	SKNS311
NS311E*	1/8" 3/2 NORMALLY CLOSED SPOOL TYPE SOLENOID VALVE WITH EXTERNAL PILOT		0.29	SKNS311E
NS411*	1/8" 3/2 NORMALLY OPEN SPOOL TYPE SOLENOID VALVE		0.28	SKNS411
NS411E*	1/8" 3/2 NORMALLY OPEN SPOOL TYPE SOLENOID VALVE WITH EXTERNAL PILOT		0.29	SKNS411E

* ADD VOLTAGE & CONNECTOR SUFFIX WHILE ORDERING

1/8" BSP 3/2 (3 WAY) Solenoid-Solenoid Valve

3PIN, PG9, PLUG-IN CONNECTOR, BLACK
(ILLUMINATED CONNECTOR AVAILABLE ON REQUEST)

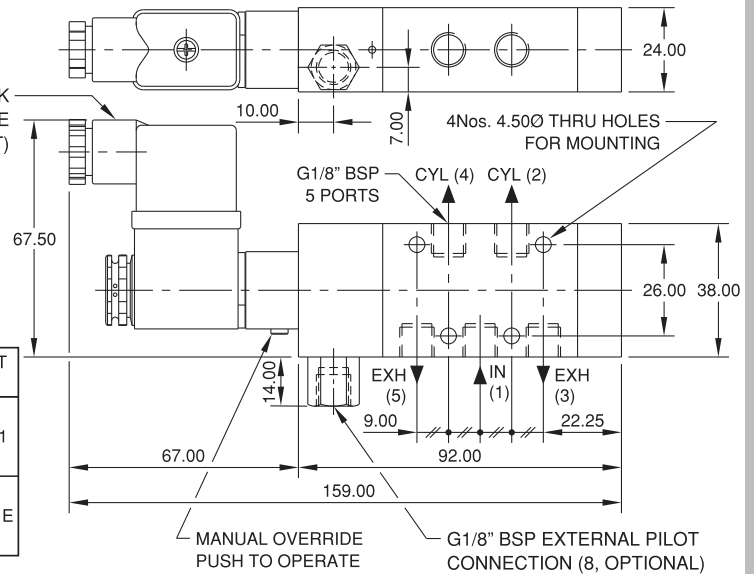
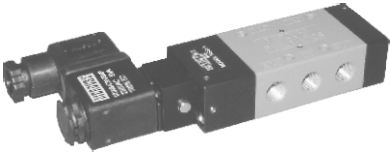


MODEL No.	DESCRIPTION	SYMBOL	WEIGHT (Kg.)	SEAL KIT No.
NS321 *	1/8" 3/2, SPOOL TYPE SOLENOID-SOLENOID VALVE		0.40	SKNS321

* ADD VOLTAGE & CONNECTOR SUFFIX WHILE ORDERING

1/8" BSP 5/2 (4 WAY) Solenoid-Air Spring Valve

3PIN, PG9, PLUG-IN CONNECTOR, BLACK
(ILLUMINATED CONNECTOR AVAILABLE ON REQUEST)

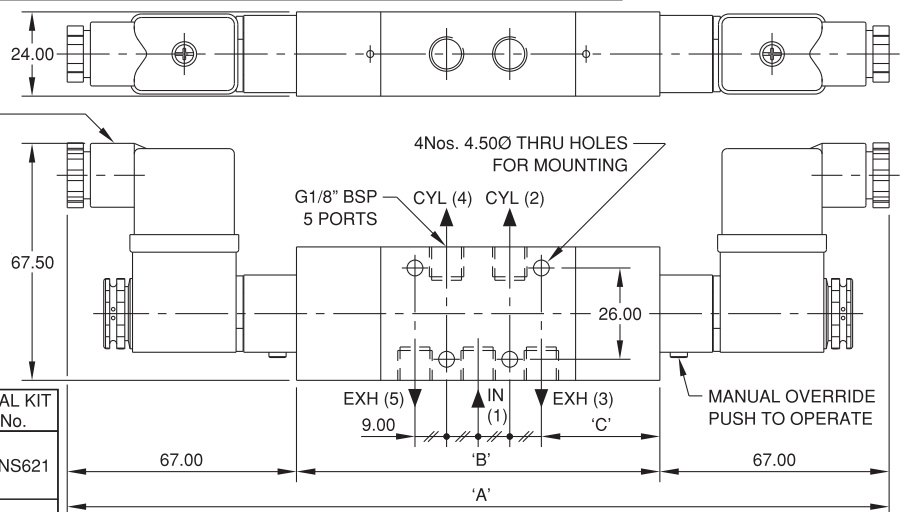
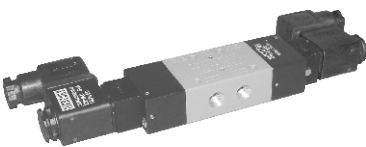


MODEL No.	DESCRIPTION	SYMBOL	WEIGHT (Kg.)	SEAL KIT No.
NS611 *	1/8" 5/2, SPOOL TYPE SOLENOID-SPRING VALVE		0.30	SKNS611
NS611E *	1/8" 5/2, SPOOL TYPE SOLENOID-SPRING VALVE WITH EXTERNAL PILOT		0.31	SKNS611E

* ADD VOLTAGE & CONNECTOR SUFFIX WHILE ORDERING

1/8" BSP 5/2 (4 WAY 2 POSITION) & 5/3 (4 WAY 3 POSITION) Solenoid-Solenoid Valve

3PIN, PG9, PLUG-IN CONNECTOR, BLACK
(ILLUMINATED CONNECTOR AVAILABLE ON REQUEST)



MODEL No.	DESCRIPTION	SYMBOL	WEIGHT (Kg.)	SEAL KIT No.
NS621 *	1/8" 5/2, SPOOL TYPE SOL.-SOL. VALVE		0.44	SKNS621
NS721 *	1/8" 5/3 PHN, SPOOL TYPE SOL.-SOL. VALVE		0.54	SKNS721
NS821 *	1/8" 5/3 PAN, SPOOL TYPE SOL.-SOL. VALVE		0.54	SKNS821
NS921 *	1/8" 5/3 PRN, SPOOL TYPE SOL.-SOL. VALVE		0.54	SKNS921

* ADD VOLTAGE & CONNECTOR SUFFIX WHILE ORDERING

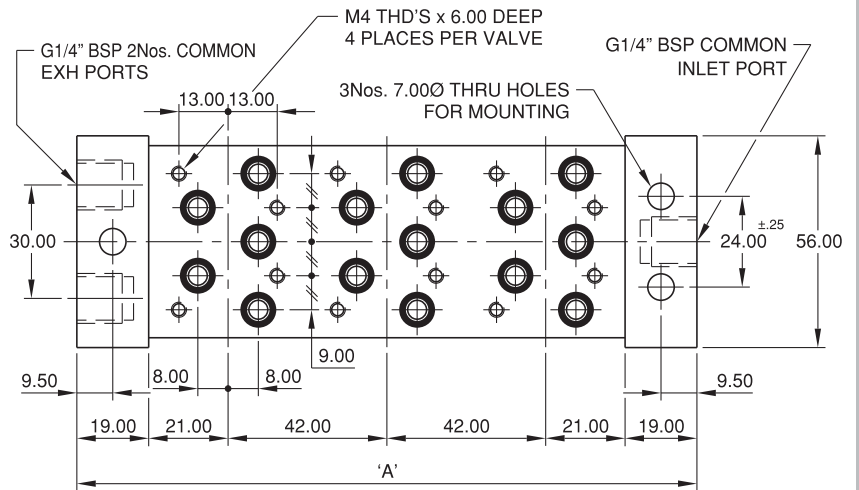
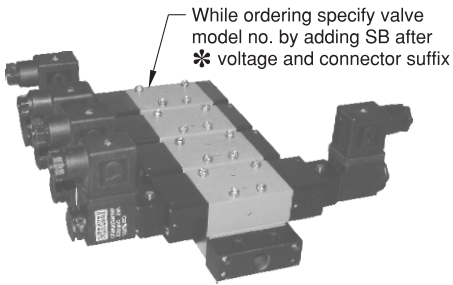
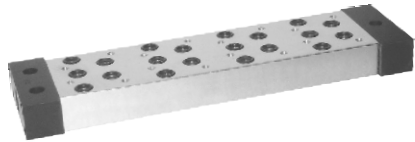
MODEL No.	'A'	'B'	'C'
NS621	237.50	103.50	33.75
NS721	272.00	138.00	65.25
NS821	272.00	138.00	65.25
NS921	272.00	138.00	65.25



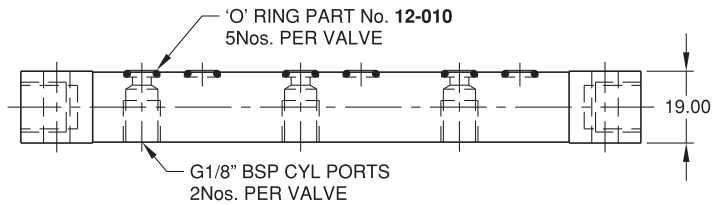
Sub-Base Manifold for Series NS-1/8" Spool Valves



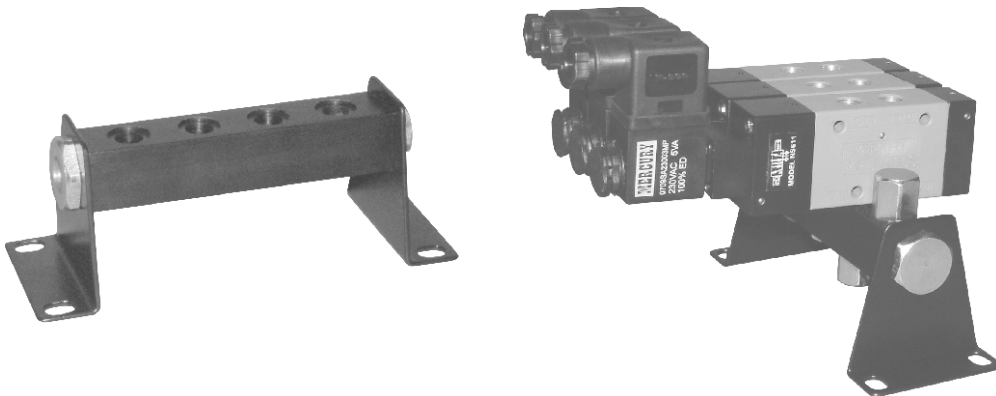
Common inlet & exhaust with bottom cylinder ports



MODEL No.	'A'	WEIGHT (Kg.)	SEAL KIT No.
NSG1C-2	122.00, FOR 2 VALVES	0.26	SKNSG1C-2
NSG1C-3	164.00, FOR 3 VALVES	0.36	SKNSG1C-3
NSG1C-4	206.00, FOR 4 VALVES	0.46	SKNSG1C-4
NSG1C-5	248.00, FOR 5 VALVES	0.57	SKNSG1C-5
NSG1C-6	290.00, FOR 6 VALVES	0.68	SKNSG1C-6



Common Supply Manifold



Note:- Refer to page 2.02/8 for technical data.



Common Supply Manifolds-1/8"

For 1/8" BSP, Series "NS" Spool Valves



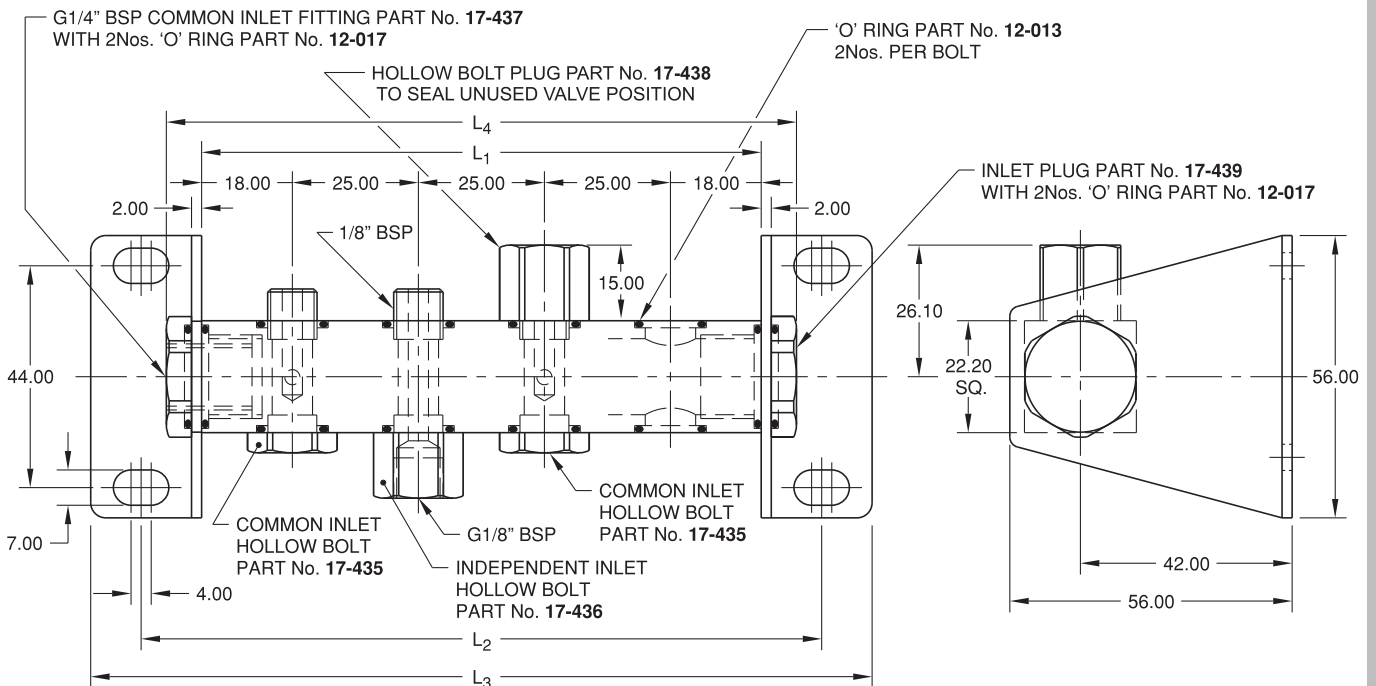
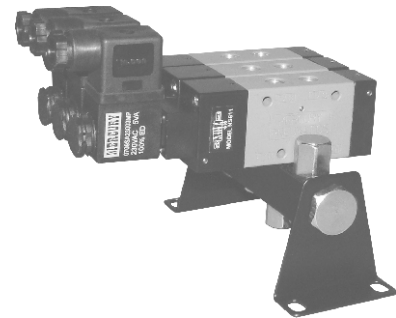
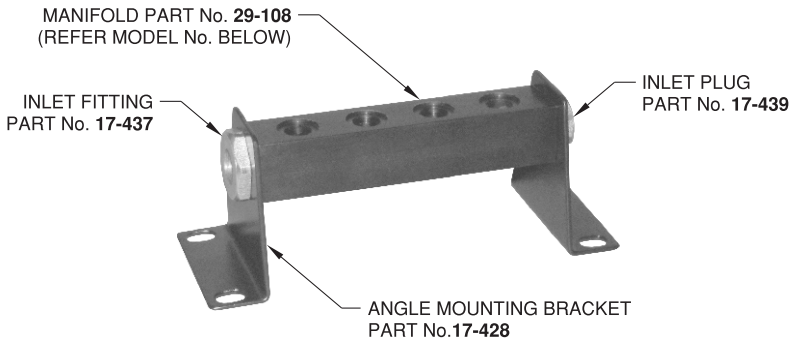
**COMMON INLET
HOLLOW BOLT
PART No. 17-435**



**INDEPENDENT INLET
HOLLOW BOLT
PART No. 17-436**



**HOLLOW BOLT PLUG
PART No. 17-438**



* WHILE ORDERING SPECIFY INDIVIDUAL PART No. AND QUANTITY

MODEL No.	No. OF VALVES	SCOPE OF SUPPLY	L ₁	L ₂	L ₃	L ₄
CSM1-2	2	STANDARD SUPPLY PART No. 18-075	61.00	85.00	105.00	75.00
CSM1-3	3	MANIFOLD :- 1No. (Specify No. of valves)	86.00	110.00	130.00	100.00
CSM1-4	4	ANGLE BRACKET :- 2Nos.	111.00	135.00	155.00	125.00
CSM1-5	5	INLET FITTING 17-437 WITH 2Nos. 'O' RING 12-017 :- 1 Set	136.00	160.00	180.00	150.00
CSM1-6	6	INLET PLUG 17-439 WITH 2Nos. 'O' RING 12-017 :- 1 Set	161.00	185.00	205.00	175.00
CSM1-7	7	EXTRA PARTS ORDER AS REQUIRED	186.00	210.00	230.00	200.00
CSM1-8	8	COMMON INLET HOLLOW BOLT 17-435 WITH 2Nos. 'O' RING 12-013	211.00	235.00	255.00	225.00
CSM1-9	9	INDEPENDENT INLET HOLLOW BOLT 17-436 WITH 2Nos. 'O' RING 12-013	236.00	260.00	280.00	250.00
		HOLLOW BOLT PLUG 17-438				



Spool Type Solenoid Valves Series NS-1/4"

Series "NS" 1/4" BSP 3/2, 5/2 & 5/3 Solenoid-Spring & Solenoid-Solenoid spool valves



Mechanical Characteristic

Body	: Aluminium
Orifice	: Ø6.50mm
Ports	: G1/4" BSP Female
Seals	: Nitrile Rubber
Design	: Spool type, internal pilot operated ; external pilot on request
Weight	: Refer to technical data

Operating Conditions

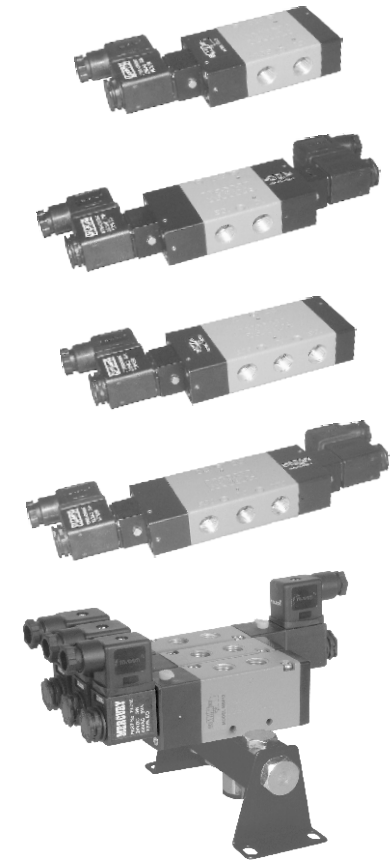
Media	: Air (filtered 40µ & lubricated)
Temperature Range	: +5° to +50°C
Vacuum	: To -0.9 bar with external pilot operation
Pressure Range	: 2.5 to 10 bar
Leakage	: Bubble Tight
Flow (NLPM) at 5 bar	: 1100 Normal litres per min. for 3/2 & 5/2 valves 1000 Normal litres per min. for 5/3 valves

Electrical Conditions

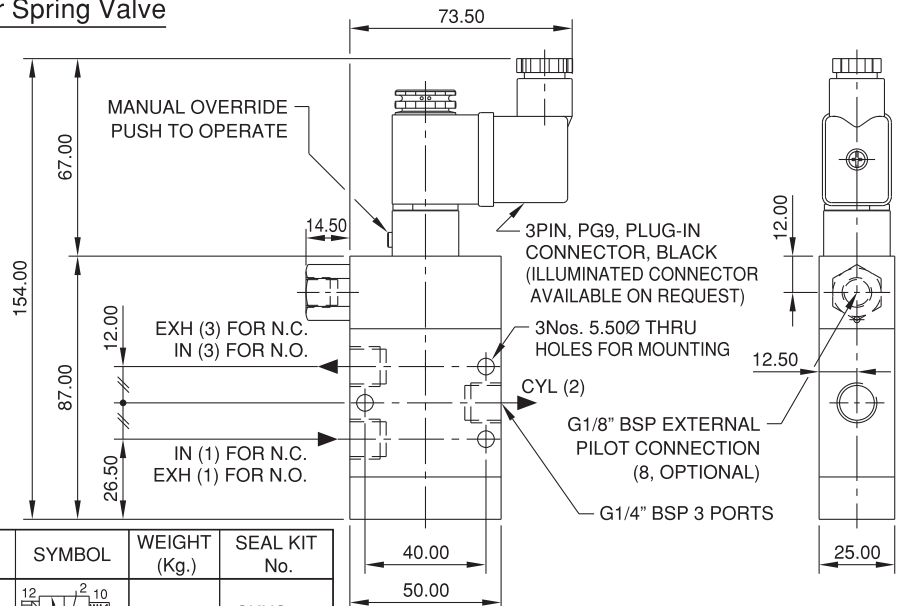
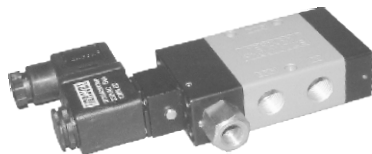
Coil Voltage	: 12 & 24 VDC; 24, 48, 110 & 230 VAC / 50 Hz ±10%
Power	: DC - 3 W; AC - 5 VA Hold, 7.5 VA Pickup
Duty Cycle	: Continuous
Response Time	: 15 msec ON / 25 msec OFF
Protection	: IP 65 (as per DIN 40 050)
Connector	: Black (illuminated on request)

* While ordering specify Coil voltage & type of connector. Add voltage & connector suffix as below to model no.

Connector	230VAC	24VAC	12VAC	24VDC	12VDC	110VAC	48VAC
BLACK	A	B	C	D	E	F	G
ILLUMINATED	L	M	N	P	Q	R	S



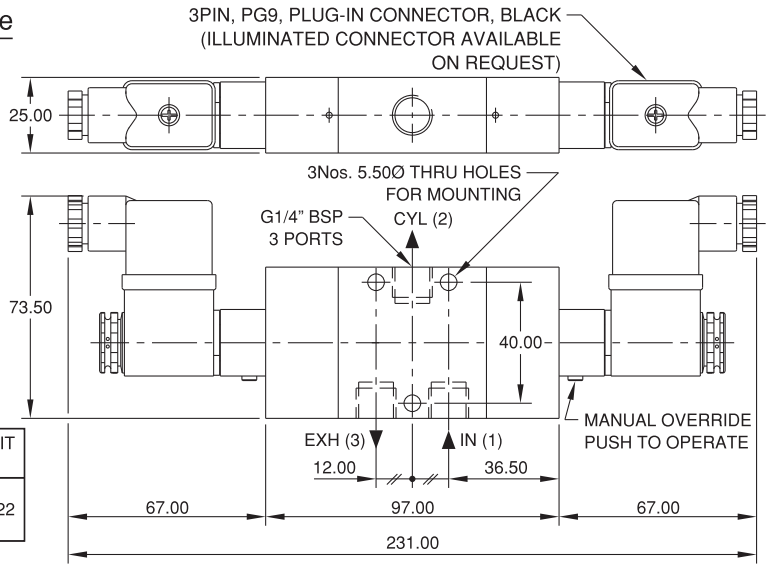
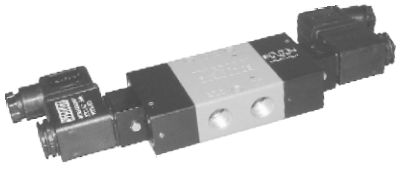
1/4" BSP 3/2 (3 WAY) Solenoid - Air Spring Valve



MODEL No.	DESCRIPTION	SYMBOL	WEIGHT (Kg.)	SEAL KIT No.
NS312 *	1/4" 3/2 NORMALLY CLOSED SPOOL TYPE SOLENOID VALVE		0.36	SKNS312
NS312E *	1/4" 3/2 NORMALLY CLOSED SPOOL TYPE SOLENOID VALVE WITH EXTERNAL PILOT		0.38	SKNS312E
NS412 *	1/4" 3/2 NORMALLY OPEN SPOOL TYPE SOLENOID VALVE		0.36	SKNS412
NS412E *	1/4" 3/2 NORMALLY OPEN SPOOL TYPE SOLENOID VALVE WITH EXTERNAL PILOT		0.38	SKNS412E

* ADD VOLTAGE & CONNECTOR SUFFIX WHILE ORDERING

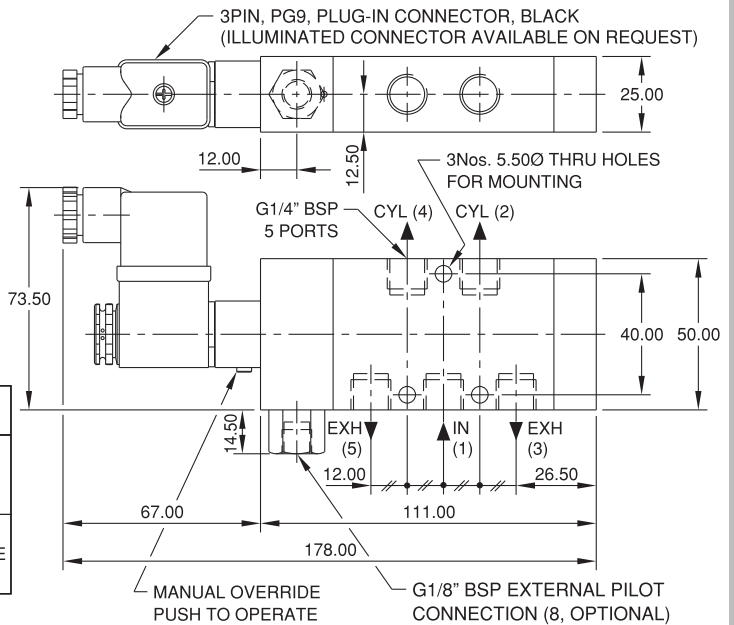
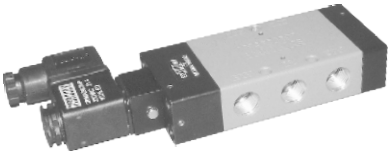
1/4" BSP 3/2 (3 WAY) Solenoid-Solenoid Valve



MODEL No.	DESCRIPTION	SYMBOL	WEIGHT (Kg.)	SEAL KIT No.
NS322 *	1/4" 3/2, SPOOL TYPE SOLENOID-SOLENOID VALVE		0.52	SKNS322

* ADD VOLTAGE & CONNECTOR SUFFIX WHILE ORDERING

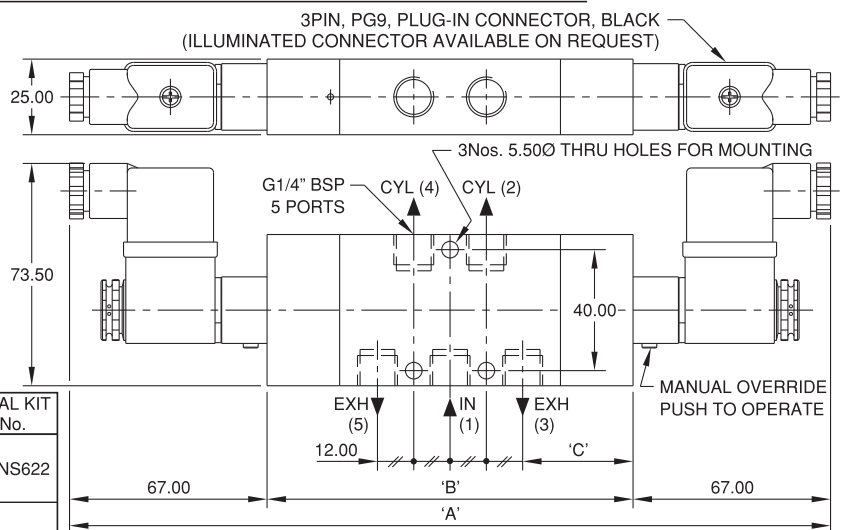
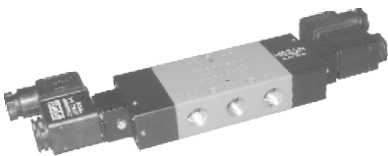
1/4" BSP 5/2 (4 WAY) Solenoid-Air Spring Valve



MODEL No.	DESCRIPTION	SYMBOL	WEIGHT (Kg.)	SEAL KIT No.
NS612 *	1/4" 5/2, SPOOL TYPE SOLENOID-SPRING VALVE		0.42	SKNS612
NS612E *	1/4" 5/2, SPOOL TYPE SOLENOID-SPRING VALVE WITH EXTERNAL PILOT		0.44	SKNS612E

* ADD VOLTAGE & CONNECTOR SUFFIX WHILE ORDERING

1/4" BSP 5/2 (4 WAY 2 POSITION) & 5/3 (4 WAY 3 POSITION) Solenoid-Solenoid Valve



MODEL No.	DESCRIPTION	SYMBOL	WEIGHT (Kg.)	SEAL KIT No.
NS622 *	1/4" 5/2, SPOOL TYPE, SOL.-SOL. VALVE		0.56	SKNS622
NS722 *	1/4" 5/3 PHN, SPOOL TYPE, SOL.-SOL. VALVE		0.70	SKNS722
NS822 *	1/4" 5/3 PAN, SPOOL TYPE, SOL.-SOL. VALVE		0.70	SKNS822
NS922 *	1/4" 5/3 PRN, SPOOL TYPE, SOL.-SOL. VALVE		0.70	SKNS922

* ADD VOLTAGE & CONNECTOR SUFFIX WHILE ORDERING

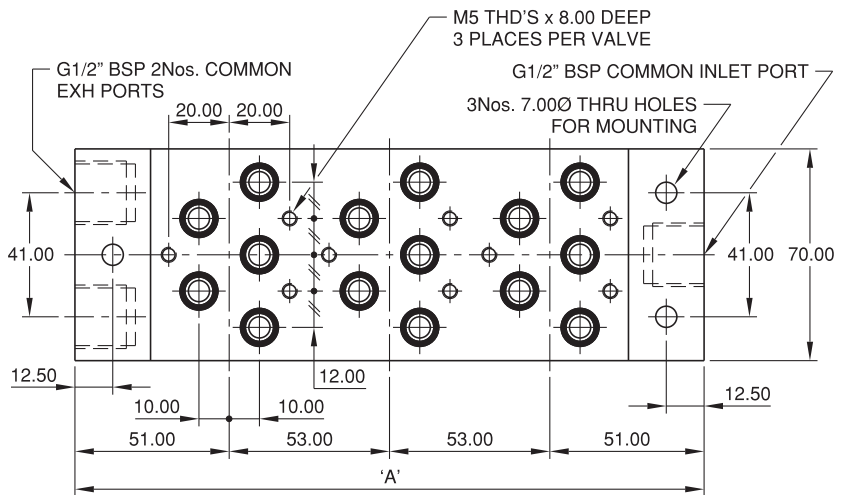
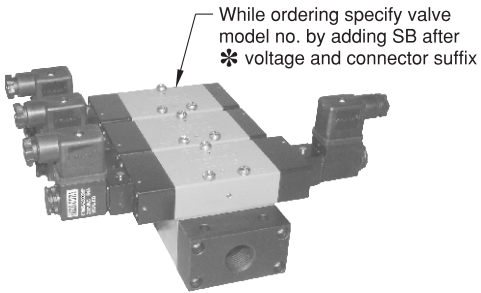
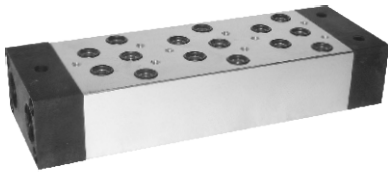
MODEL No.	'A'	'B'	'C'
NS622	255.00	121.00	36.50
NS722	296.00	162.00	71.50
NS822	296.00	162.00	71.50
NS922	296.00	162.00	71.50



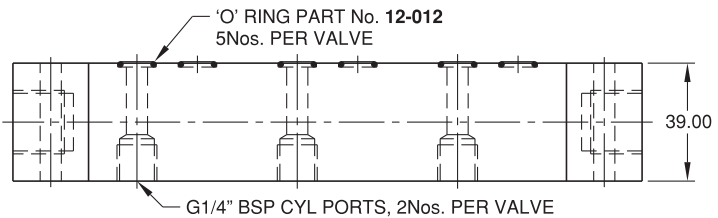
Sub-Base Manifold for Series NS-1/4" Spool Valve



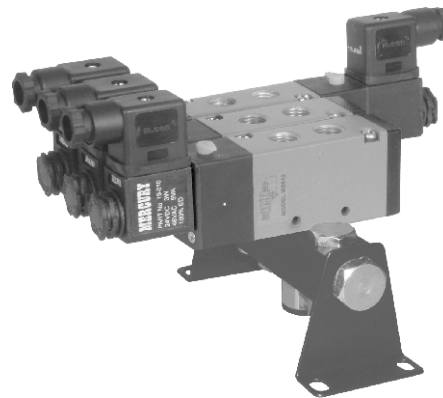
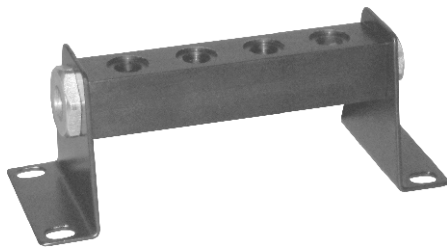
Common inlet & exhaust with bottom cylinder ports



MODEL No.	'A'	WEIGHT (Kg.)	SEAL KIT No.
NSG2C-2	155.00, FOR 2 VALVES	0.89	SKNSG2C-2
NSG2C-3	208.00, FOR 3 VALVES	1.28	SKNSG2C-3
NSG2C-4	261.00, FOR 4 VALVES	1.68	SKNSG2C-4
NSG2C-5	314.00, FOR 5 VALVES	2.07	SKNSG2C-5
NSG2C-6	367.00, FOR 6 VALVES	2.46	SKNSG2C-6



Common Supply Manifold



Note:- Refer to page 2.02/16 for technical data.



Common Supply Manifolds-1/4"

For 1/4" BSP, Series "NS" Spool Valves



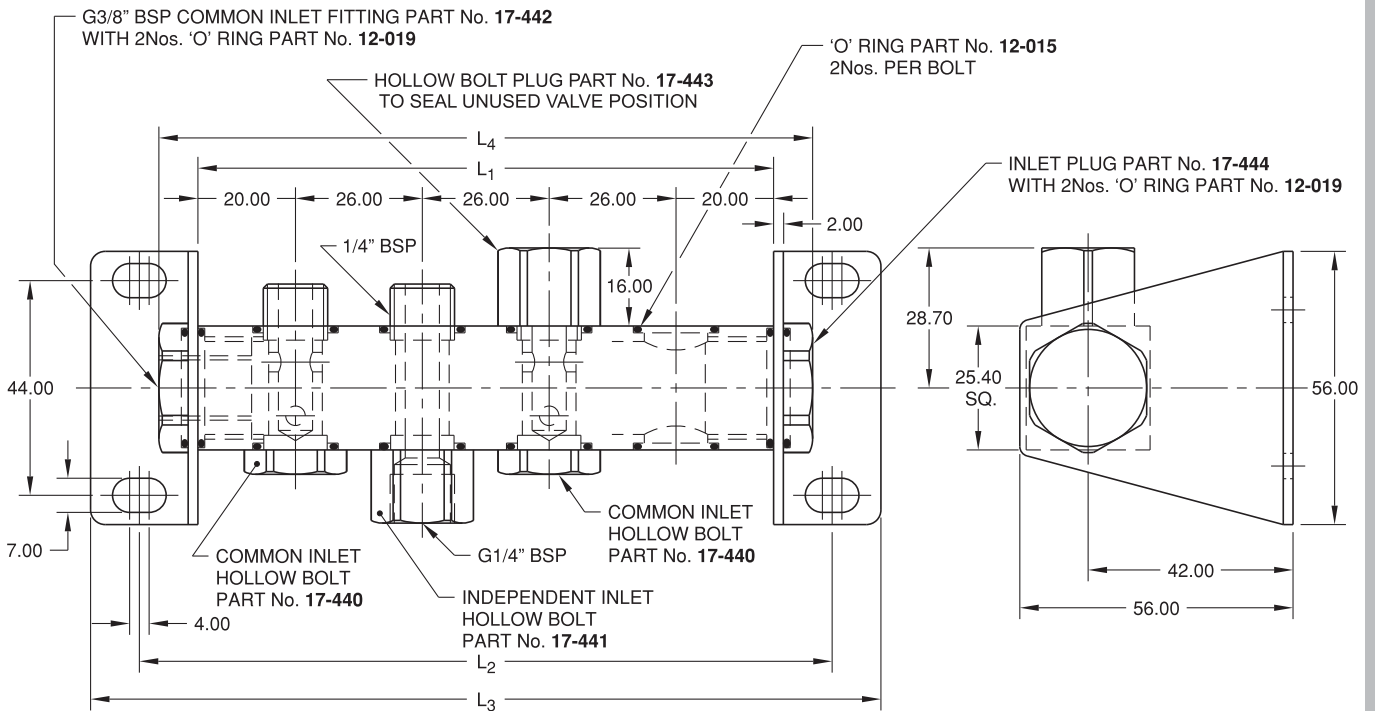
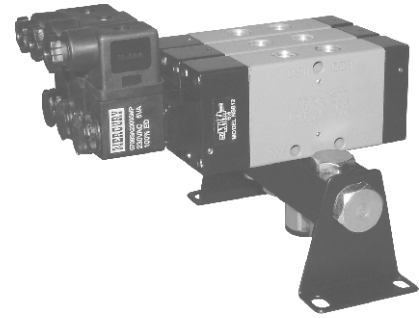
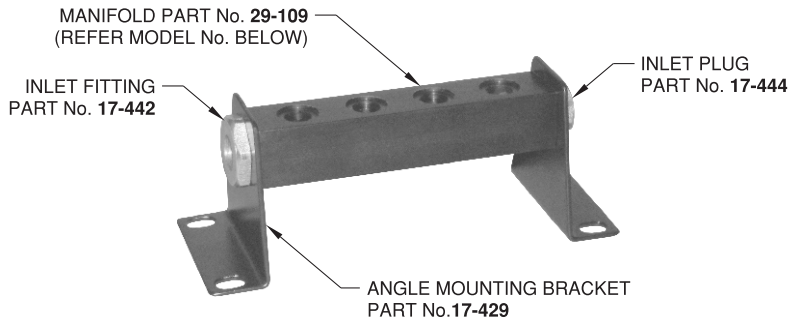
**COMMON INLET
HOLLOW BOLT
PART No. 17-440**



**INDEPENDENT INLET
HOLLOW BOLT
PART No. 17-441**



**HOLLOW BOLT PLUG
PART No. 17-443**



* WHILE ORDERING SPECIFY INDIVIDUAL PART No. AND QUANTITY

MODEL No.	No. OF VALVES	SCOPE OF SUPPLY	L ₁	L ₂	L ₃	L ₄
CSM2-2	2	STANDARD SUPPLY PART No. 18-076 MANIFOLD :- 1No. (Specify No. of valves) ANGLE BRACKET :- 2Nos. INLET FITTING 17-442 WITH 2Nos. 'O' RING 12-019 :- 1 Set INLET PLUG 17-444 WITH 2Nos. 'O' RING 12-019 :- 1 Set	66.00	90.00	110.00	82.00
CSM2-3	3		92.00	116.00	136.00	108.00
CSM2-4	4		118.00	142.00	162.00	134.00
CSM2-5	5		144.00	168.00	188.00	160.00
CSM2-6	6		170.00	194.00	214.00	186.00
CSM2-7	7	EXTRA PARTS ORDER AS REQUIRED COMMON INLET HOLLOW BOLT 17-440 WITH 2Nos. 'O' RING 12-015 INDEPENDENT INLET HOLLOW BOLT 17-441 WITH 2Nos. 'O' RING 12-015 HOLLOW BOLT PLUG 17-443	196.00	220.00	240.00	212.00
CSM2-8	8		222.00	246.00	266.00	238.00
CSM2-9	9		248.00	272.00	292.00	264.00



Spool Type Solenoid Valves Series NS-1/2"

Series "NS" 1/2" BSP 3/2, 5/2 & 5/3 Solenoid-Spring & Solenoid-Solenoid spool valves



Mechanical Characteristic

Body	: Aluminium
Orifice	: Ø12.50mm
Ports	: G1/2" BSP Female
Seals	: Nitrile Rubber
Design	: Spool type, internal pilot operated ; external pilot on request
Weight	: Refer to technical data

Operating Conditions

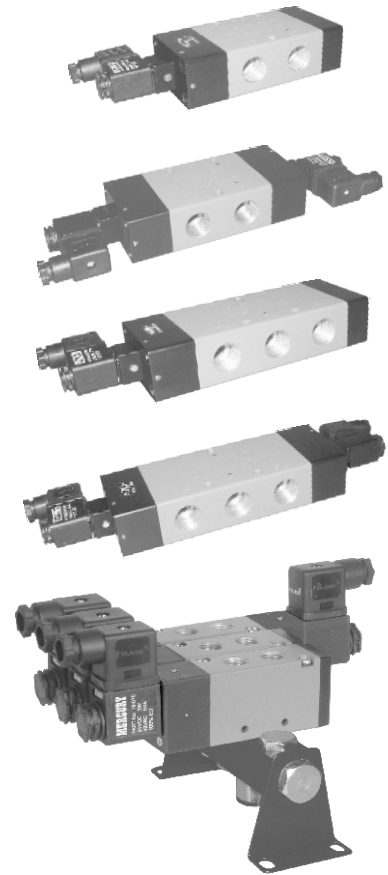
Media	: Air (filtered 40µ & lubricated)
Temperature Range	: +5° to +50°C
Vacuum	: To -0.9 bar with external pilot operation
Pressure Range	: 2.5 to 10 bar
Leakage	: Bubble Tight
Flow (NLPM) at 5 bar	: 3000 Normal litres per min. for 3/2 & 5/2 valves 2500 Normal litres per min. for 5/3 valves

Electrical Conditions

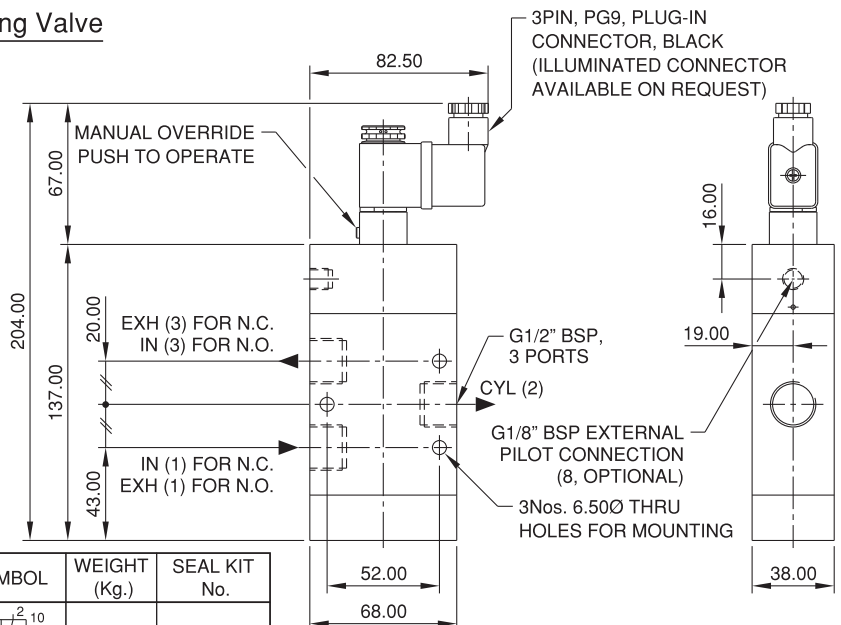
Coil Voltage	: 12 & 24 VDC; 24, 48, 110 & 230 VAC / 50 Hz ±10%
Power	: DC - 3 W; AC - 5 VA Hold, 7.5 VA Pickup
Duty Cycle	: Continuous
Response Time	: 15 msec ON / 25 msec OFF
Protection	: IP 65 (as per DIN 40 050)
Connector	: Black (illuminated on request)

* While ordering specify Coil voltage & type of connector. Add voltage & connector suffix as below to model no.

Connector	230VAC	24VAC	12VAC	24VDC	12VDC	110VAC	48VAC
BLACK	A	B	C	D	E	F	G
ILLUMINATED	L	M	N	P	Q	R	S



1/2" BSP 3/2 (3 WAY) Solenoid - Air Spring Valve



MODEL No.	DESCRIPTION	SYMBOL	WEIGHT (Kg.)	SEAL KIT No.
NS314 *	1/2" 3/2 NORMALLY CLOSED SPOOL TYPE SOLENOID VALVE		0.93	SKNS314
NS314E *	1/2" 3/2 NORMALLY CLOSED SPOOL TYPE SOLENOID VALVE WITH EXTERNAL PILOT		0.92	SKNS314E
NS414 *	1/2" 3/2 NORMALLY OPEN SPOOL TYPE SOLENOID VALVE		0.93	SKNS414
NS414E *	1/2" 3/2 NORMALLY OPEN SPOOL TYPE SOLENOID VALVE WITH EXTERNAL PILOT		0.92	SKNS414E

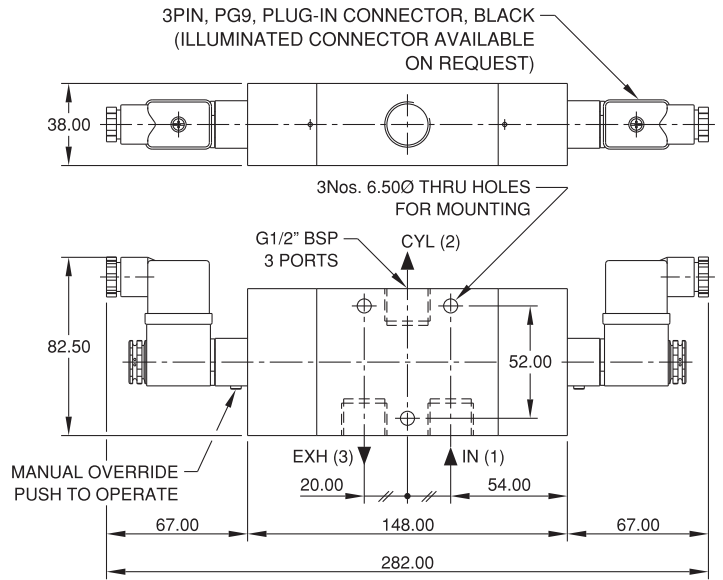
* ADD VOLTAGE & CONNECTOR SUFFIX WHILE ORDERING

1/2" BSP 3/2 (3 WAY) Solenoid-Solenoid Valve



MODEL No.	DESCRIPTION	SYMBOL	WEIGHT (Kg.)	SEAL KIT No.
NS324 *	1/2" 3/2, SPOOL TYPE SOLENOID-SOLENOID VALVE		1.07	SKNS324

* ADD VOLTAGE & CONNECTOR SUFFIX WHILE ORDERING

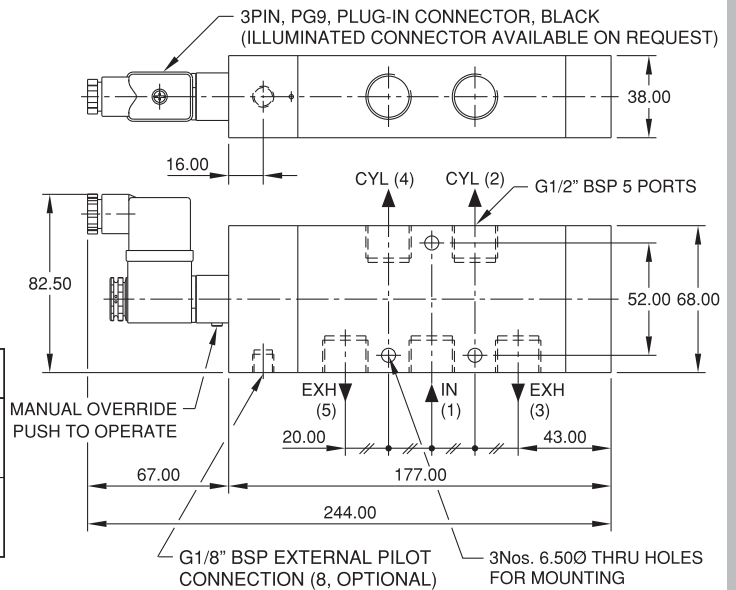


1/2" BSP 5/2 (4 WAY) Solenoid-Air Spring Valve



MODEL No.	DESCRIPTION	SYMBOL	WEIGHT (Kg.)	SEAL KIT No.
NS614 *	1/2" 5/2, SOLENOID-SPRING VALVE		1.13	SKNS614
NS614E *	1/2" 5/2, SOLENOID-SPRING VALVE WITH EXTERNAL PILOT		1.12	SKNS614E

* ADD VOLTAGE & CONNECTOR SUFFIX WHILE ORDERING

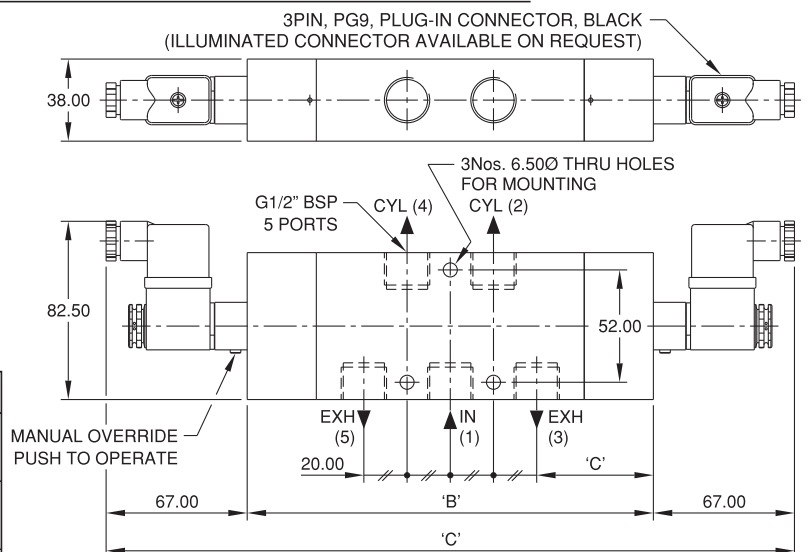


1/2" BSP 5/2 (4 WAY 2 POSITION) & 5/3 (4 WAY 3 POSITION) Solenoid-Solenoid Valve



MODEL No.	DESCRIPTION	SYMBOL	WEIGHT (Kg.)	SEAL KIT No.
NS624 *	1/2" 5/2, SPOOL TYPE, SOL.-SOL. VALVE		1.29	SKNS624
NS724 *	1/2" 5/3 PHN, SPOOL TYPE, SOL.-SOL. VALVE		1.72	SKNS724
NS824 *	1/2" 5/3 PAN, SPOOL TYPE, SOL.-SOL. VALVE		1.72	SKNS824
NS924 *	1/2" 5/3 PRN, SPOOL TYPE, SOL.-SOL. VALVE		1.72	SKNS924

* ADD VOLTAGE & CONNECTOR SUFFIX WHILE ORDERING



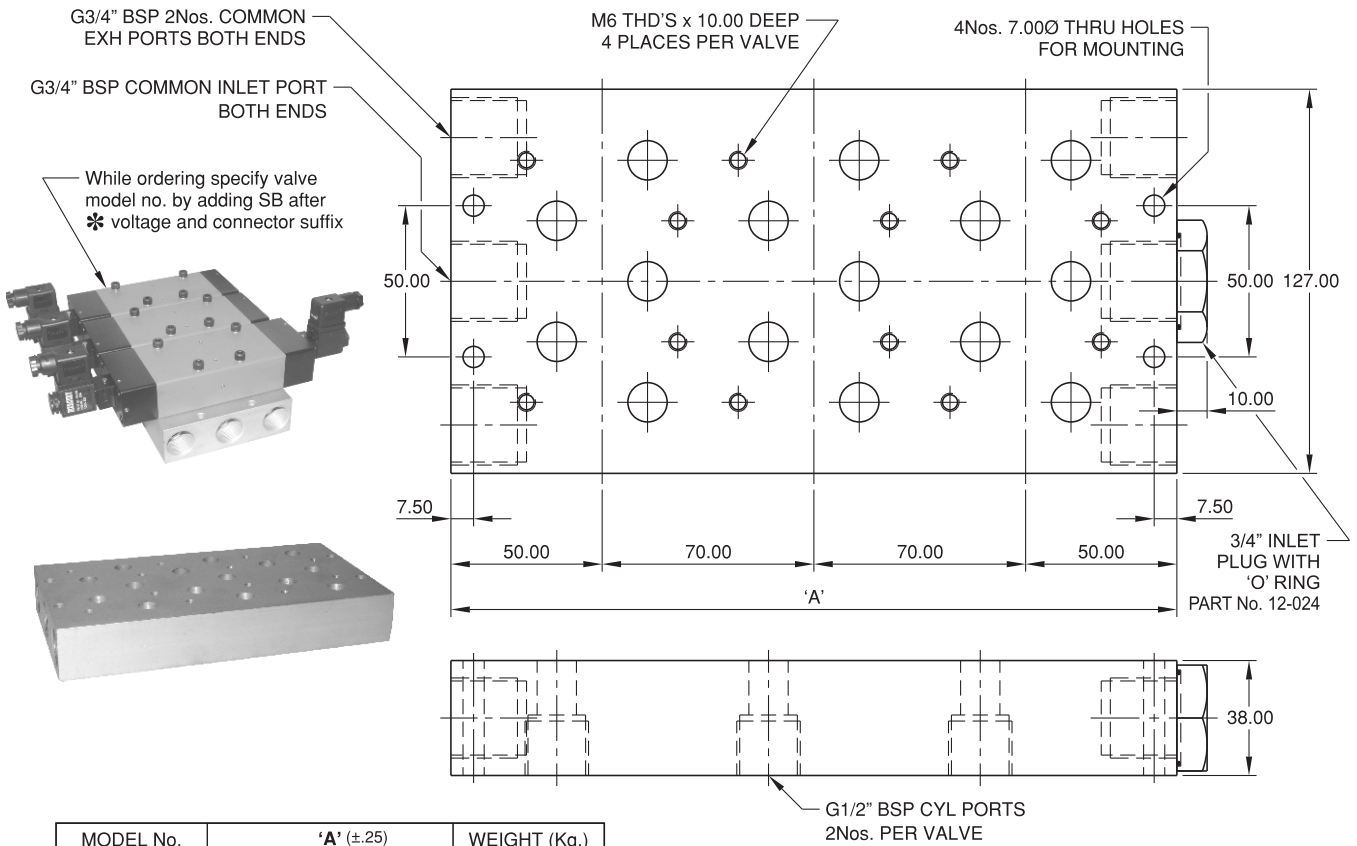
MODEL No.	'A' (±.25)	'B' (±.25)	'C'
NS624	322.00	188.00	54.00
NS724	385.50	251.50	107.50
NS824	385.50	251.50	107.50
NS924	385.50	251.50	107.50



Sub-Base Manifold for Series NS-1/2" Spool Valve

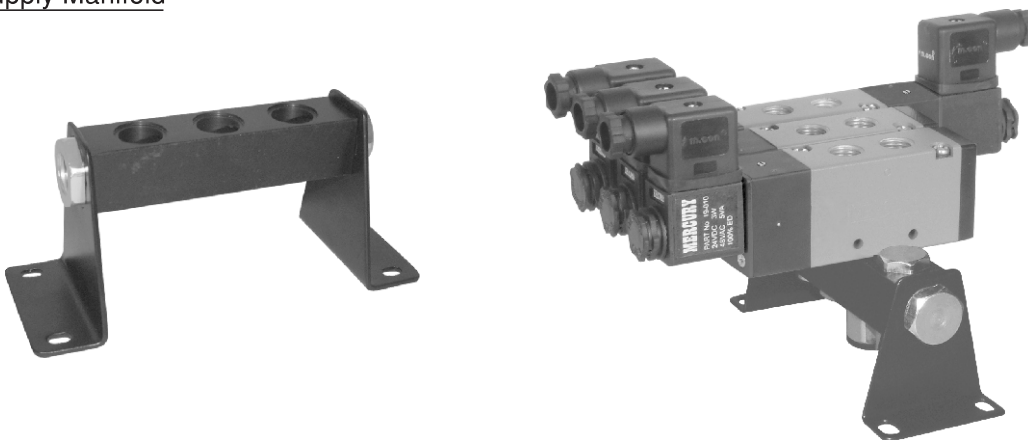


Common inlet & exhaust with bottom cylinder ports



MODEL No.	'A' (±.25)	WEIGHT (Kg.)
NSG4C-2	170.00, FOR 2 VALVES	2.22
NSG4C-3	240.00, FOR 3 VALVES	3.13
NSG4C-4	310.00, FOR 4 VALVES	4.04
NSG4C-5	380.00, FOR 5 VALVES	4.95
NSG4C-6	450.00, FOR 6 VALVES	5.86

Common Supply Manifold



Note:- Refer to page 2.02/24 for technical data.



Common Supply Manifolds-1/2"

For 1/2" BSP, Series "NS" Spool Valves



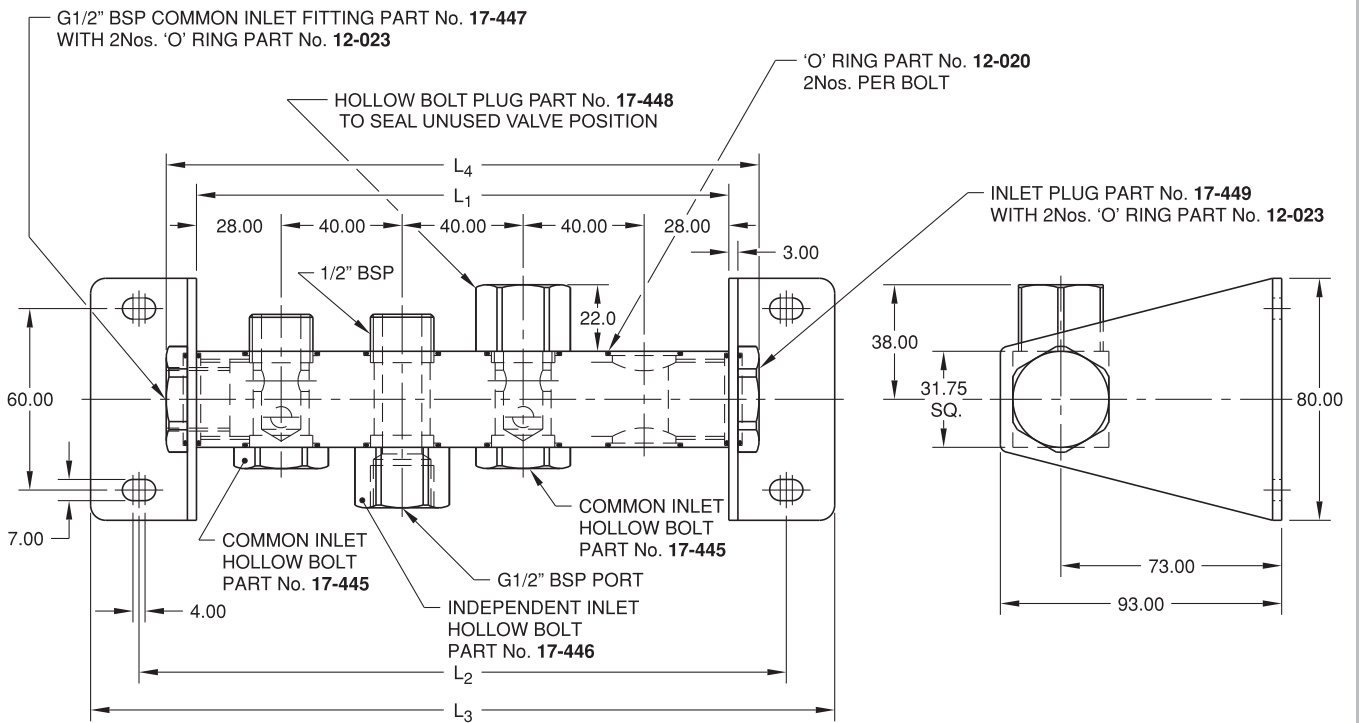
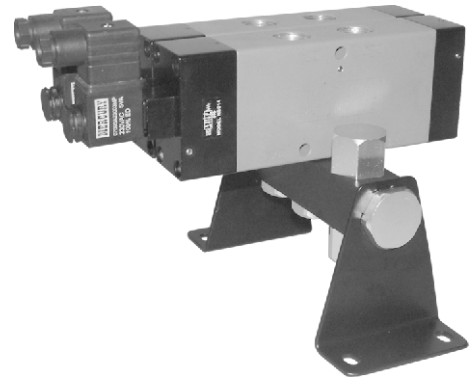
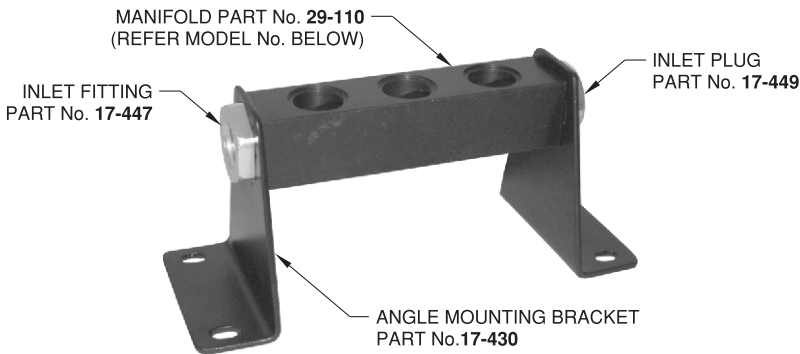
COMMON INLET
HOLLOW BOLT
PART No. 17-445



INDEPENDENT INLET
HOLLOW BOLT
PART No. 17-446



HOLLOW BOLT PLUG
PART No. 17-448



* WHILE ORDERING SPECIFY INDIVIDUAL PART No. AND QUANTITY

MODEL No.	No. OF VALVES	SCOPE OF SUPPLY	L ₁	L ₂	L ₃	L ₄
CSM4-2	2	STANDARD SUPPLY PART No. 18-077	96.00	134.00	166.00	116.00
CSM4-3	3	MANIFOLD :- 1No. (Specify No. of valves)	136.00	174.00	206.00	156.00
CSM4-4	4	ANGLE BRACKET :- 2Nos.	176.00	214.00	246.00	196.00
CSM4-5	5	INLET FITTING 17-447 WITH 2Nos. 'O' RING 12-023 :- 1 Set	216.00	254.00	286.00	236.00
CSM4-6	6	INLET PLUG 17-449 WITH 2Nos. 'O' RING 12-023 :- 1 Set	256.00	294.00	326.00	276.00
CSM4-7	7	EXTRA PARTS ORDER AS REQUIRED	296.00	334.00	366.00	316.00
CSM4-8	8	COMMON INLET HOLLOW BOLT 17-445 WITH 2Nos. 'O' RING 12-020	336.00	374.00	406.00	356.00
CSM4-9	9	INDEPENDENT INLET HOLLOW BOLT 17-446 WITH 2Nos. 'O' RING 12-020	376.00	414.00	446.00	396.00
		HOLLOW BOLT PLUG 17-448				



Spool Type Solenoid Valves Series NS-3/4"

Series "NS" 3/4" BSP 5/2 Solenoid-Spring & Solenoid-Solenoid spool valves



Mechanical Characteristic

Body	: Aluminium
Orifice	: Ø19.00mm
Ports	: G3/4" BSP Female
Seals	: Nitrile Rubber
Design	: Spool type, internal pilot operated ; external pilot on request
Weight	: Refer to technical data

Operating Conditions

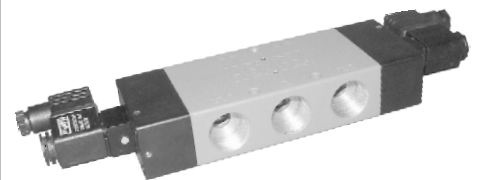
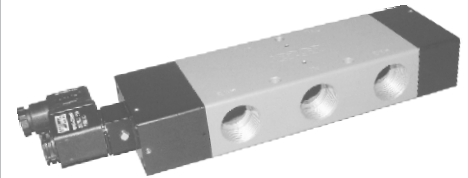
Media	: Air (filtered 40µ & lubricated)
Temperature Range	: +5° to +50°C
Vacuum	: To -0.9 bar with external pilot operation
Pressure Range	: 2.5 to 10 bar
Leakage	: Bubble Tight
Flow (NLPM) at 5 bar	: 6500 Normal litres per min.

Electrical Conditions

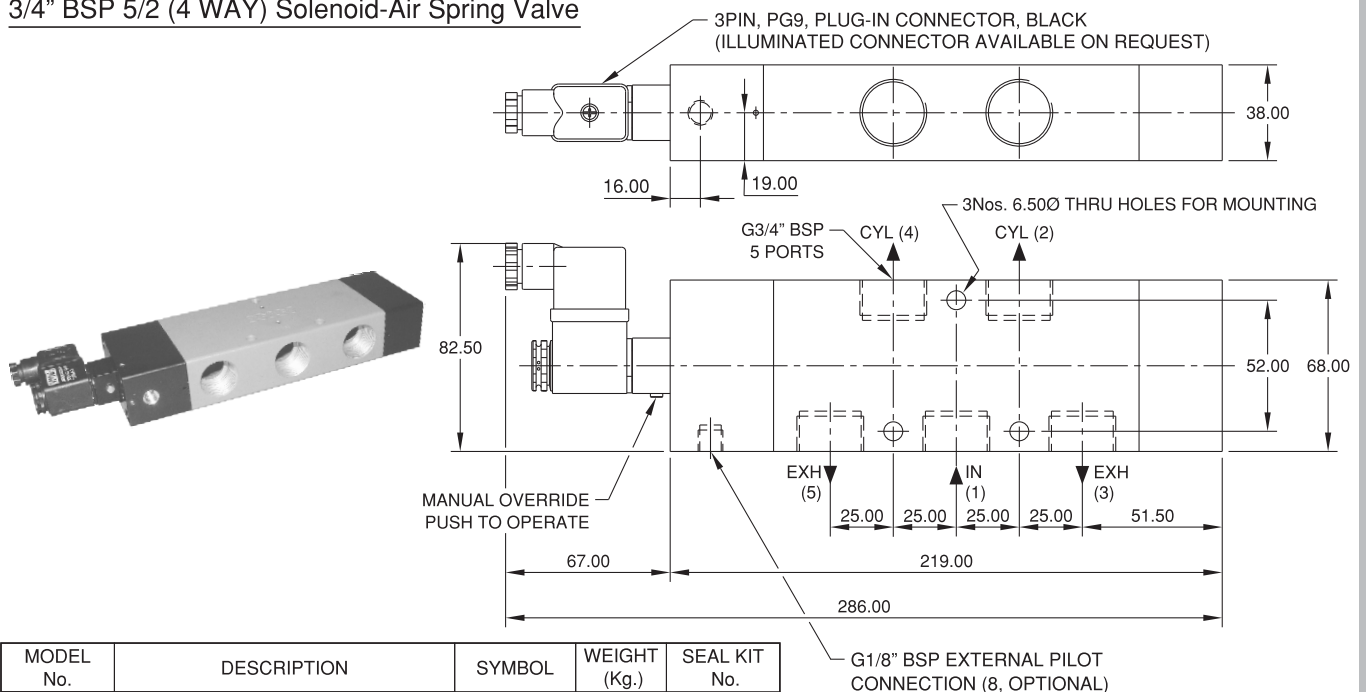
Coil Voltage	: 12 & 24 VDC; 24, 48, 110 & 230 VAC / 50 Hz ±10%
Power	: DC - 3 W; AC - 5 VA Hold, 7.5 VA Pickup
Duty Cycle	: Continuous
Response Time	: 20 msec ON / 30 msec OFF
Protection	: IP 65 (as per DIN 40 050)
Connector	: Black (illuminated on request)

* While ordering specify Coil voltage & type of connector. Add voltage & connector suffix as below to model no.

Connector	230VAC	24VAC	12VAC	24VDC	12VDC	110VAC	48VAC
BLACK	A	B	C	D	E	F	G
ILLUMINATED	L	M	N	P	Q	R	S



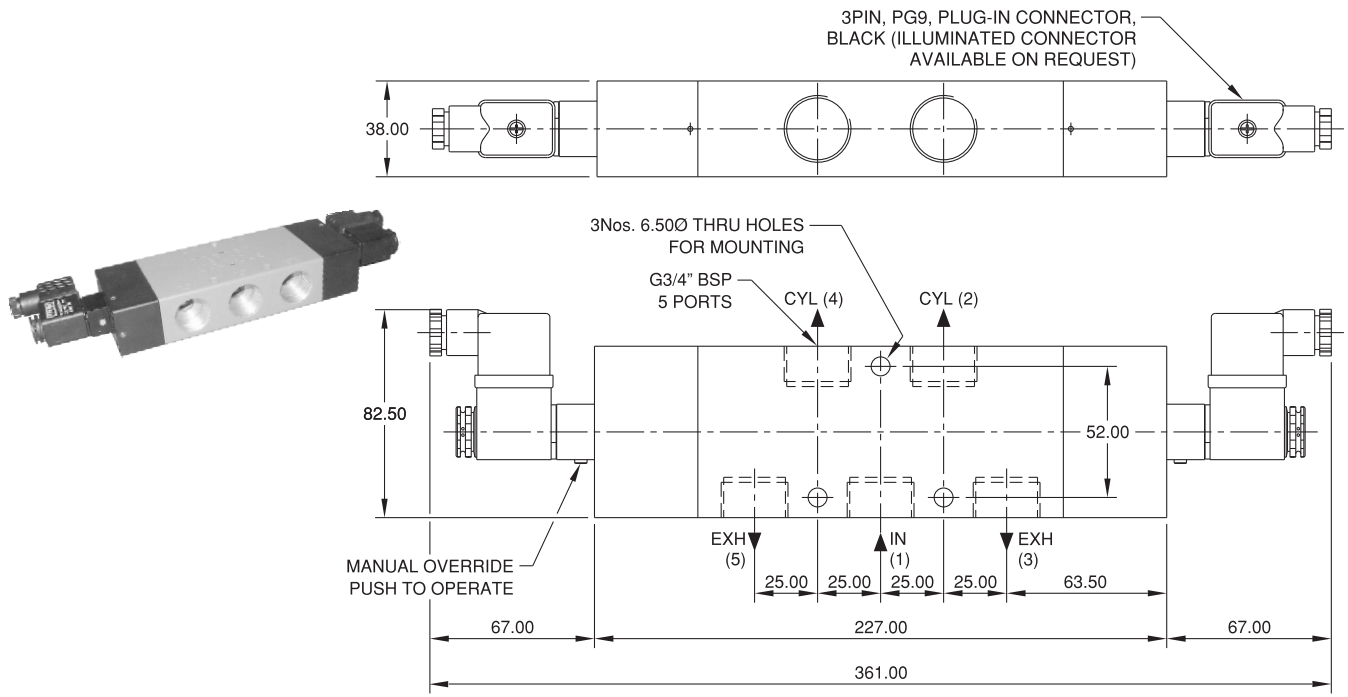
3/4" BSP 5/2 (4 WAY) Solenoid-Air Spring Valve



MODEL No.	DESCRIPTION	SYMBOL	WEIGHT (Kg.)	SEAL KIT No.
NS615 *	3/4" 5/2, SOLENOID-SPRING VALVE		1.30	SKNS615
NS615E *	3/4" 5/2, SOLENOID-SPRING VALVE WITH EXTERNAL PILOT		1.30	SKNS615E

* ADD VOLTAGE & CONNECTOR SUFFIX WHILE ORDERING

3/4" BSP 5/2 (4 WAY 2 POSITION) Solenoid-Solenoid Valve



MODEL No.	DESCRIPTION	SYMBOL	WEIGHT (Kg.)	SEAL KIT No.
NS625 *	3/4" 5/2, SPOOL TYPE, SOLENOID-SOLENOID VALVE		1.32	SKNS625

* ADD VOLTAGE & CONNECTOR SUFFIX WHILE ORDERING